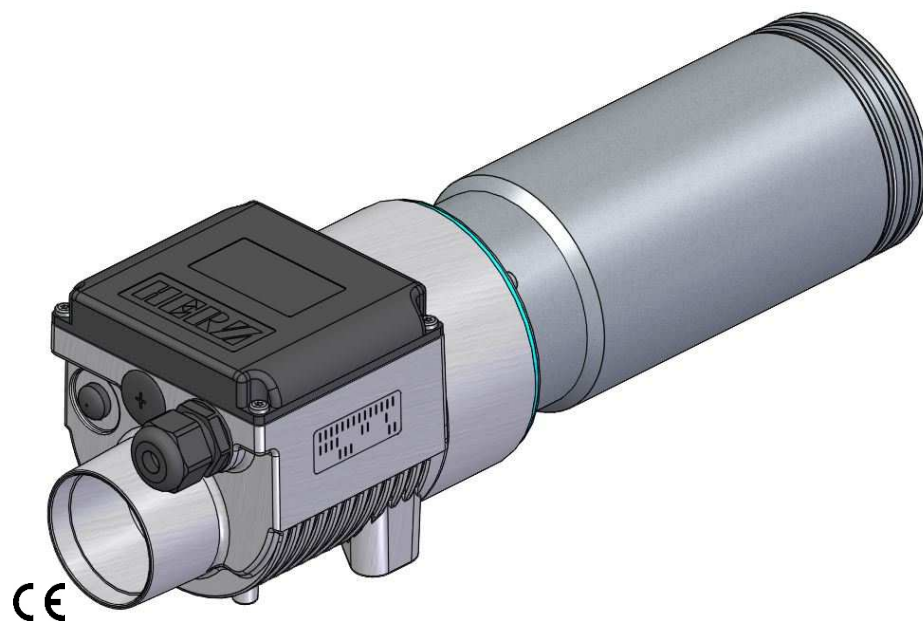


Air heater type XL92HT





Function: Air heater with external air supply by means of fan or compressed air.
CAUTION !!! Device is not pressure-resistant !!!

Features: Max. supply air temperature 150°C

Power: 15,0 KW
Voltage: 400 VAC

Options: Other voltages and capacities on request !!!

Technical data:

Item number		5110568
Voltage	VAC	400
Frequency	Hz	50 / 60
Power	KW	15,0
Current	A	21,7
Max. temperature	°C	900
Min. air volume	l/min	1000
Weight	kg	3,5
Air intake	Ø mm	60
Air outlet	Ø mm	84
Heater tube	Ø mm	92 / 102
Dimensions	mm (L x W x H)	428 x 123 x 124
Conformity mark		
Protection class I		

Air heater type XL92HT

Product description:	Connection scheme:
<ol style="list-style-type: none"> 1. Cable fitting mains supply 2. Mounting on bottom of housing M 8 (screw depth 16 mm) 3. Heating element pipe Ø92mm; Protection tube Ø102mm 4. Housing cover 5. Data plate 6. Air intake Ø60mm 	<ol style="list-style-type: none"> 1. L1, L2, L3 Main connection according to data plate 2. ⚡ Grounding

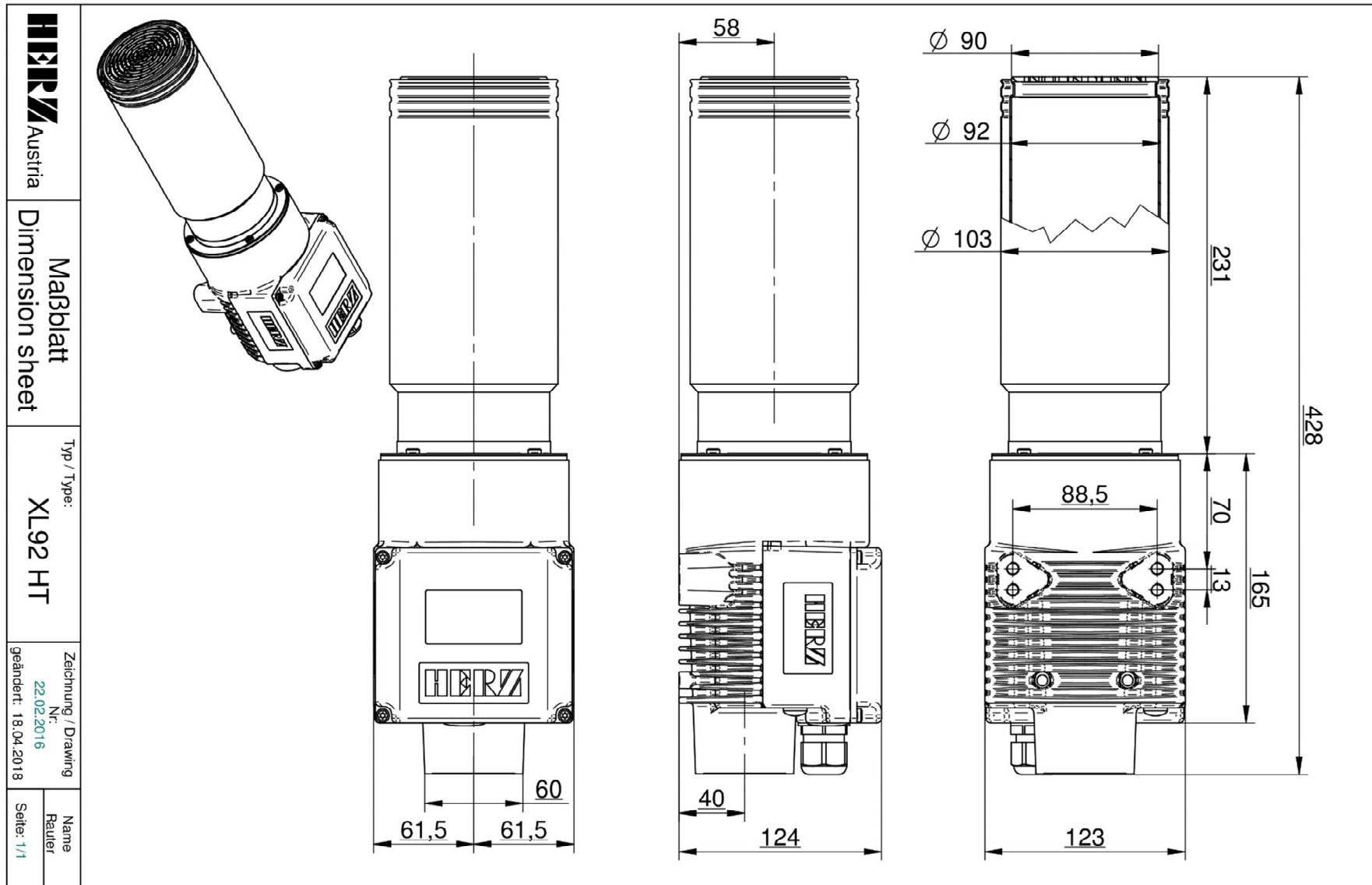
Available modifications:

S20 - External control of the load relay (SSR) by a PWM signal 12-24VDC

Accessories:

Item no.	Description
5107275	Flange connector, push fit on the protective tube

Air heater type XL92HT



Änderungen vorbehalten / Changes reserved